

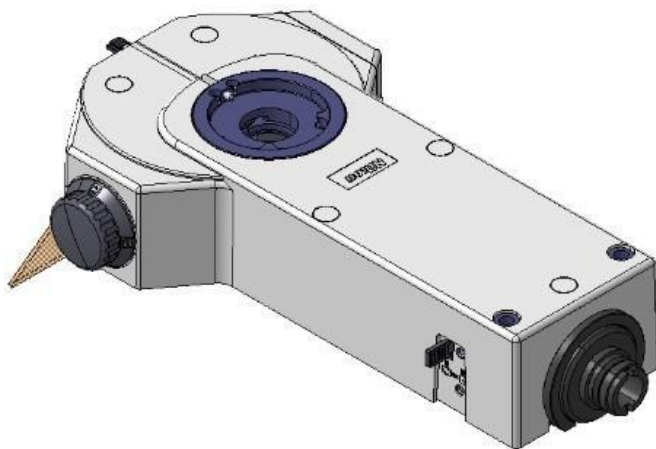


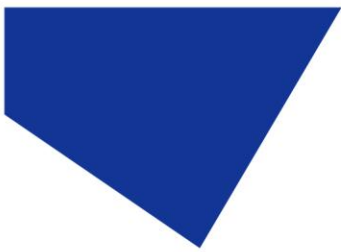
## pE-300 Series and 201 Adaptor Quick Setup Guide

This guide explains how to fit a CoolLED pE-300 Series **direct fit variant** Illumination System to compatible Nikon microscopes (see [adaptor selection tool](#)), featuring the mounting interface introduced by Nikon in 2021. This uses the CoolLED 201 adaptor, and the following guidance replaces steps 5.4 and 10.1.2 of the pE-300 Series user manual.

### 1. Installation (replaces section 5.4 of pE-300 Series User Manual)

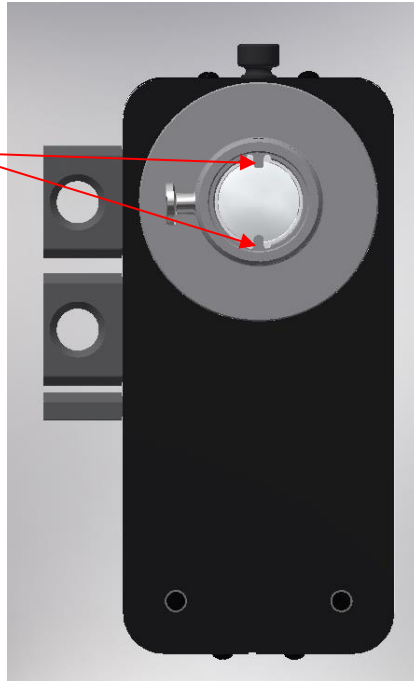
- 1.1. Fit the pE-300 Series Light Source to the epi-fluorescence attachment.





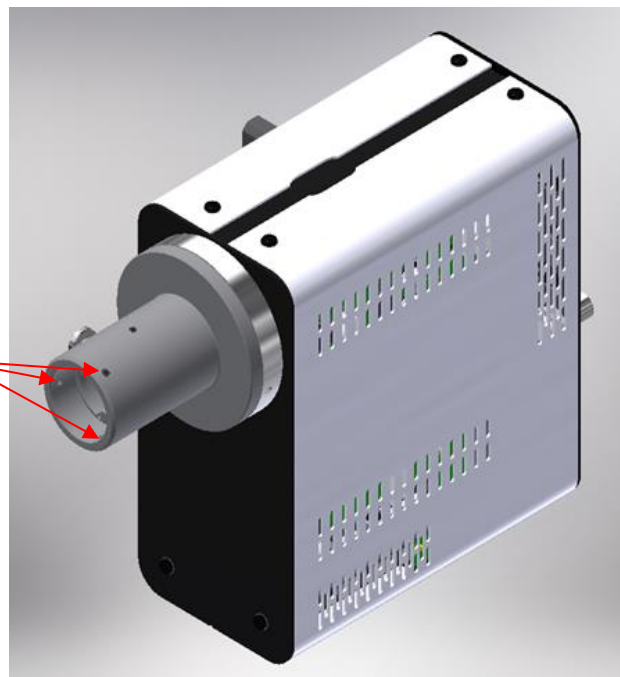
- 1.1. Ensure the lugs in the adaptor fit into the notches in the epi-fluorescence attachment.

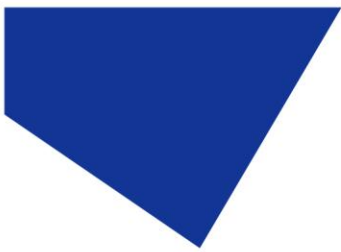
Lugs in adaptor to fit into notches of Nikon attachment



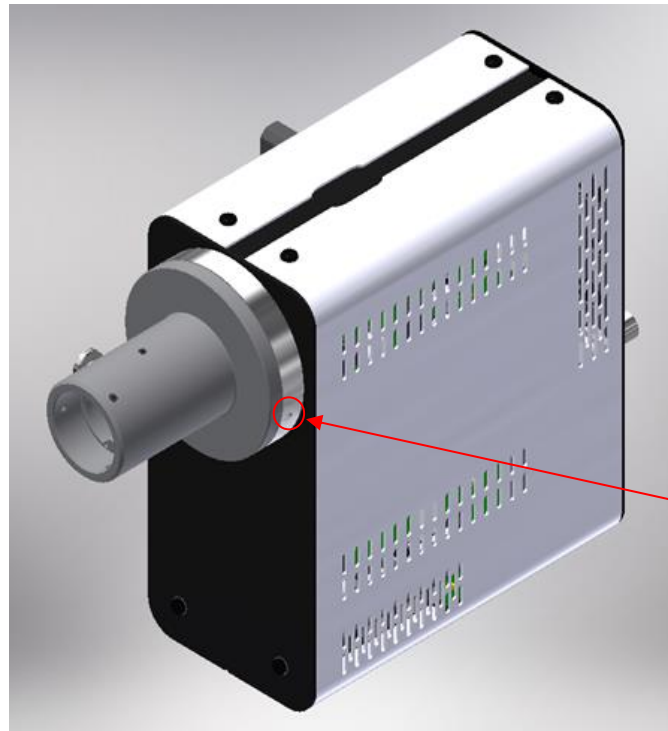
- 1.2. Lock the pE-300 Series Light Source to the epi-fluorescence attachment with the 3x M3 grub screws (using a 1.5 mm hex key). For a secure fit, ensure the grub screws are sitting in the groove on the Nikon attachment as they are being tightened.

Tighten three grub screws

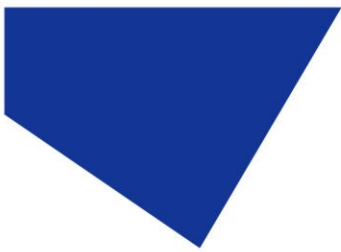




- 1.3. Should it be necessary to re-orientate the Light Source, gently loosen the 2x M4 grub screws (using a 2 mm hex key), rotate the Light Source to the required orientation, and tighten. Ensure you support the Light Source throughout the procedure.

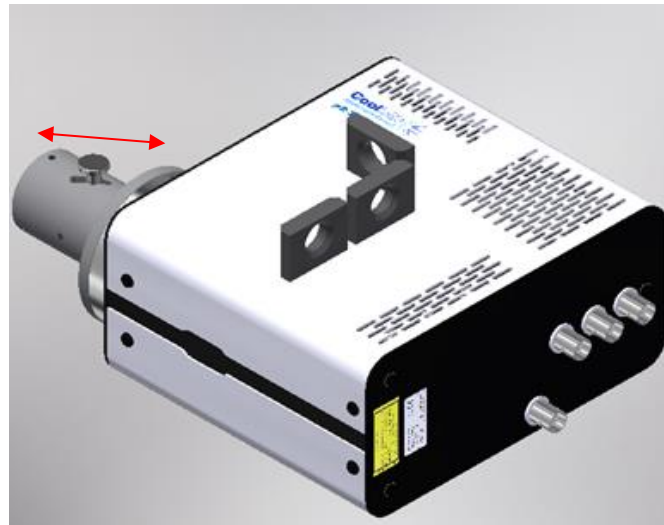


Grub screws located here and opposite side

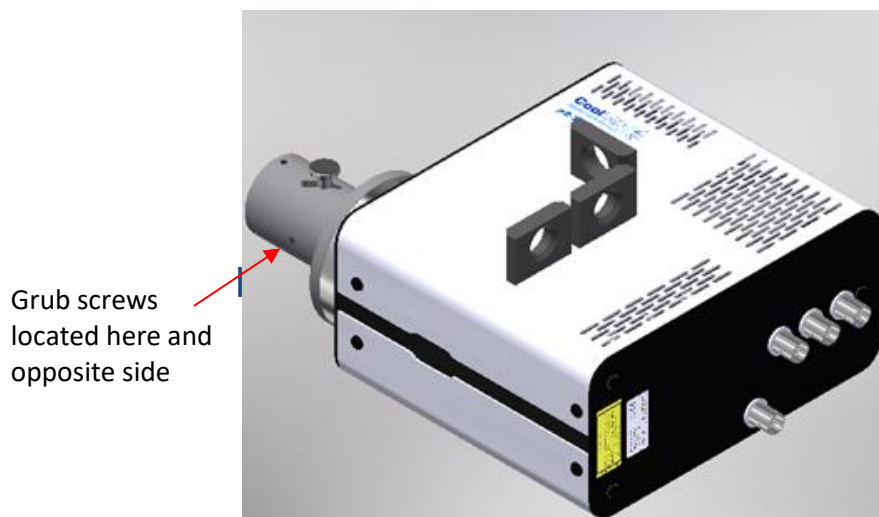


## 2. Adjustment (replaces section 10.1.2 of pE-300 Series User Manual)

- 2.1. To make the adjustment, set up a typical sample on the microscope that gives an image over the whole field of view. Adjust the slider on the adaptor to achieve an even field of view and focused illumination.  
**DO NOT ATTEMPT TO TIGHTEN OR REMOVE THE THUMB SCREW ON THE SLIDER**



- 2.2. Lock the slider with the 2x M3 grub screws (using a 1.5 mm hex key).



If you have any questions, contact  
[support@cooled.com](mailto:support@cooled.com)