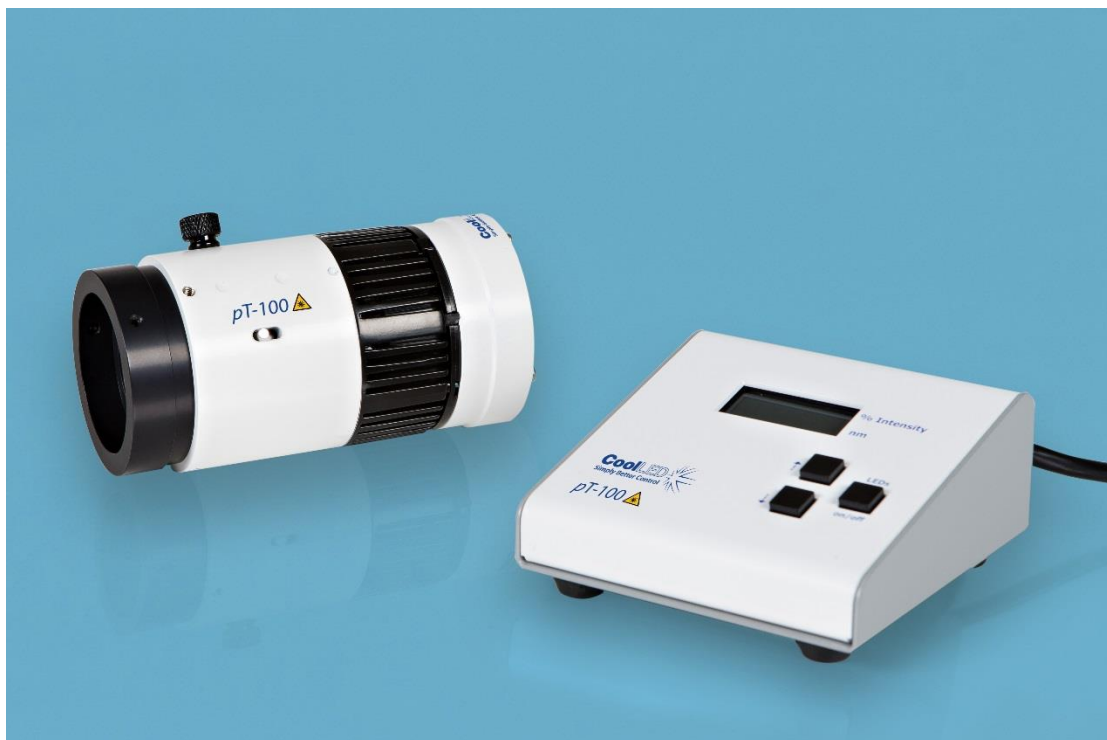


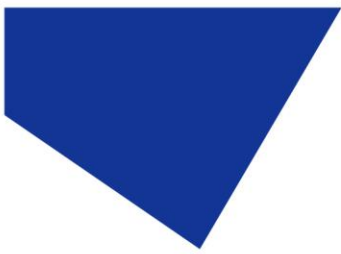
pT-100 Quick Start Guide



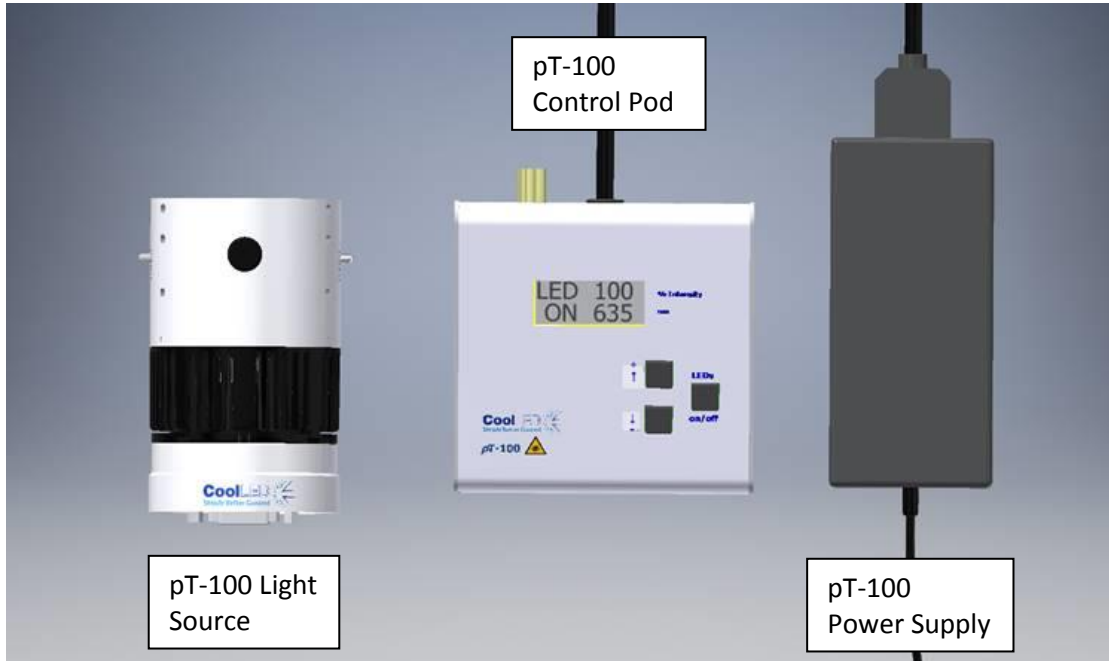
This guide should provide some basic information on the setup and operation of the CoolLED pT-100 Illumination System.

Before operating this product please read and observe the advice given in the safety section of the full User Manual.

For more detailed information on the full range of options and functions please see the full User Manual.



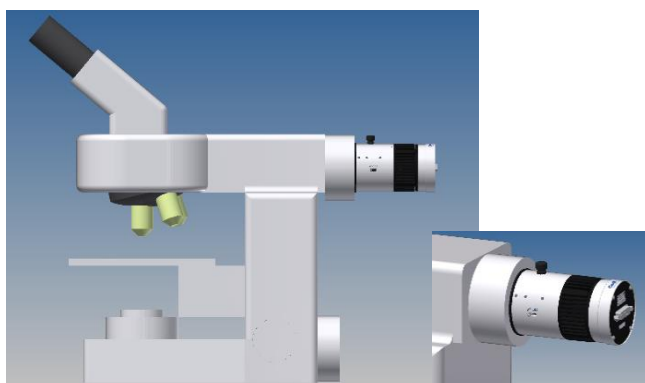
1. Contents



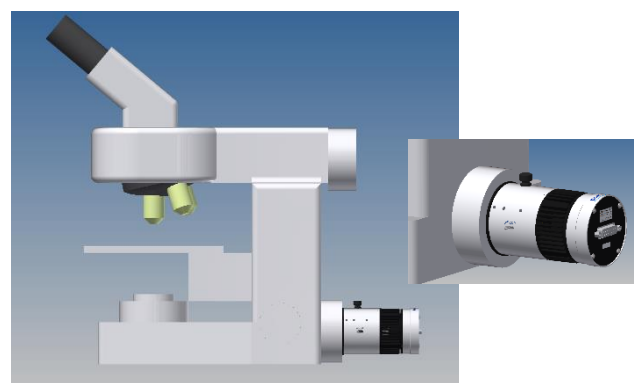
A typical pT-100 order will include the parts shown. A microscope adaptor that was specified when ordering will be fitted to the pT-100 Light Source. A mains power cable for the specified region of use shall also be included (not pictured).

2. Fitting the Light Source to a microscope

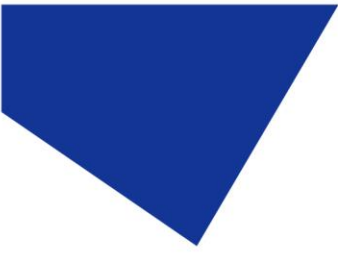
Attach the Light Source to the specified port of the microscope.



Reflected port



Transmitted (Brightfield) port



3. Connecting the Control Pod and power supply

Connect the Control Pod cable with the D-type connector to the Light Source.



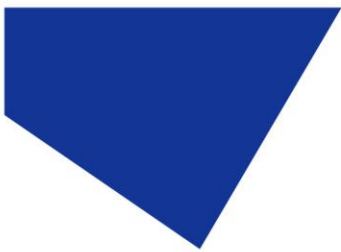
Secure the connector in place with the screws, using a flat-headed screwdriver.



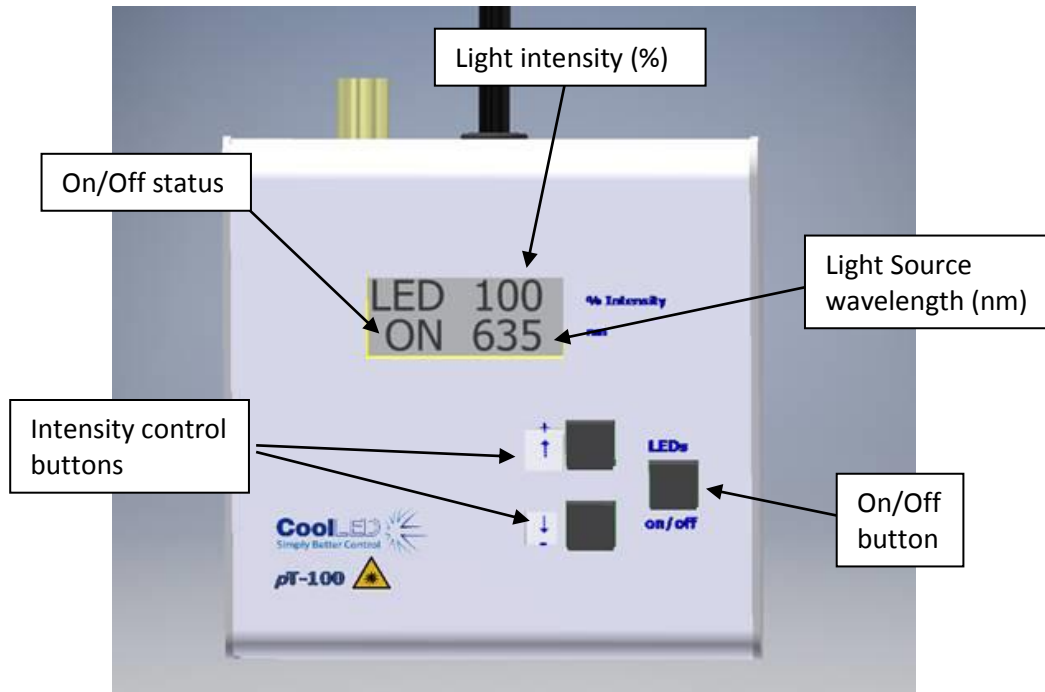
Insert the connector from the power supply into the Control Pod as shown.



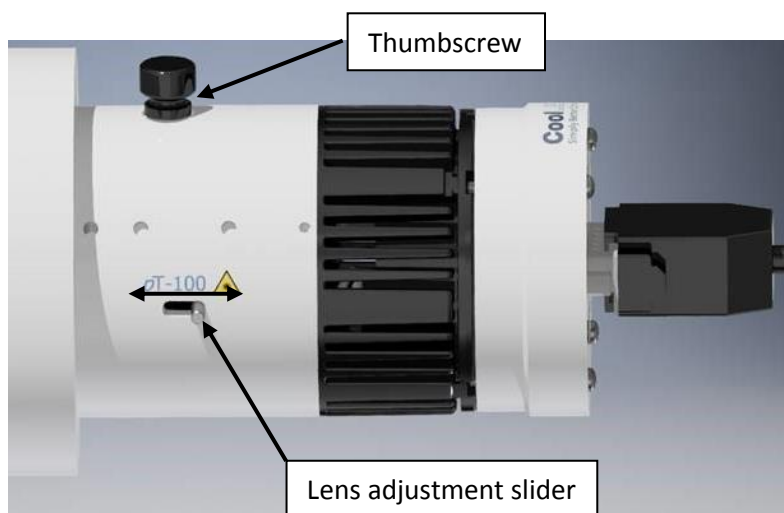
Insert the mains lead connector into the power supply.
Insert the mains plug into an appropriate socket and switch on.



4. Control Pod operation



5. Optical adjustment



To optimize the Light Source set up a sample that covers the entire field of view.

Loosen the thumbscrew and make adjustments to the lens slider whilst viewing the sample.

Once you achieve maximum brightness with an even illumination secure the position by tightening the thumbscrew.